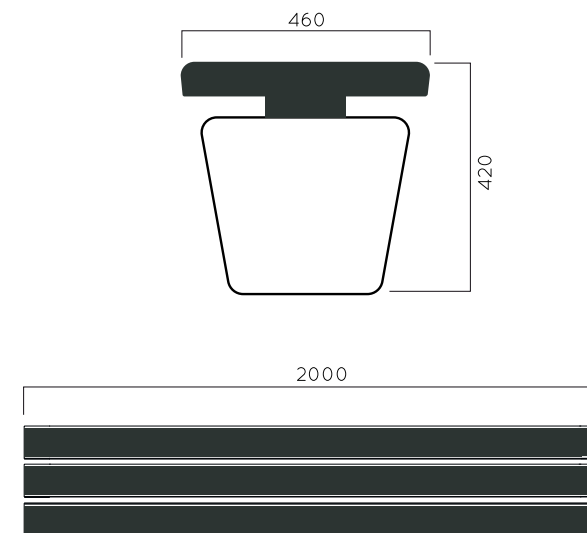




DIMENSIONS: L2000xW460xH420mm



PLAIN BENCH

Material: Impregnated wood coated with Water-based paint certified by the (En 71- 3 safety for toys).

Fixing: Hot-dip galvanized & powder-coated metal

- ▷ Resistance
- ▷ Stabilized dimensions

Translucent wood finish

- ▷ Transparency
- ▷ Protection

Autoclave treated wood

- ▷ Strength
- ▷ Long serving
- ▷ Resistant to severe weather conditions

Packing size: 2010 x470 x 430 mm

Colours | textures:

